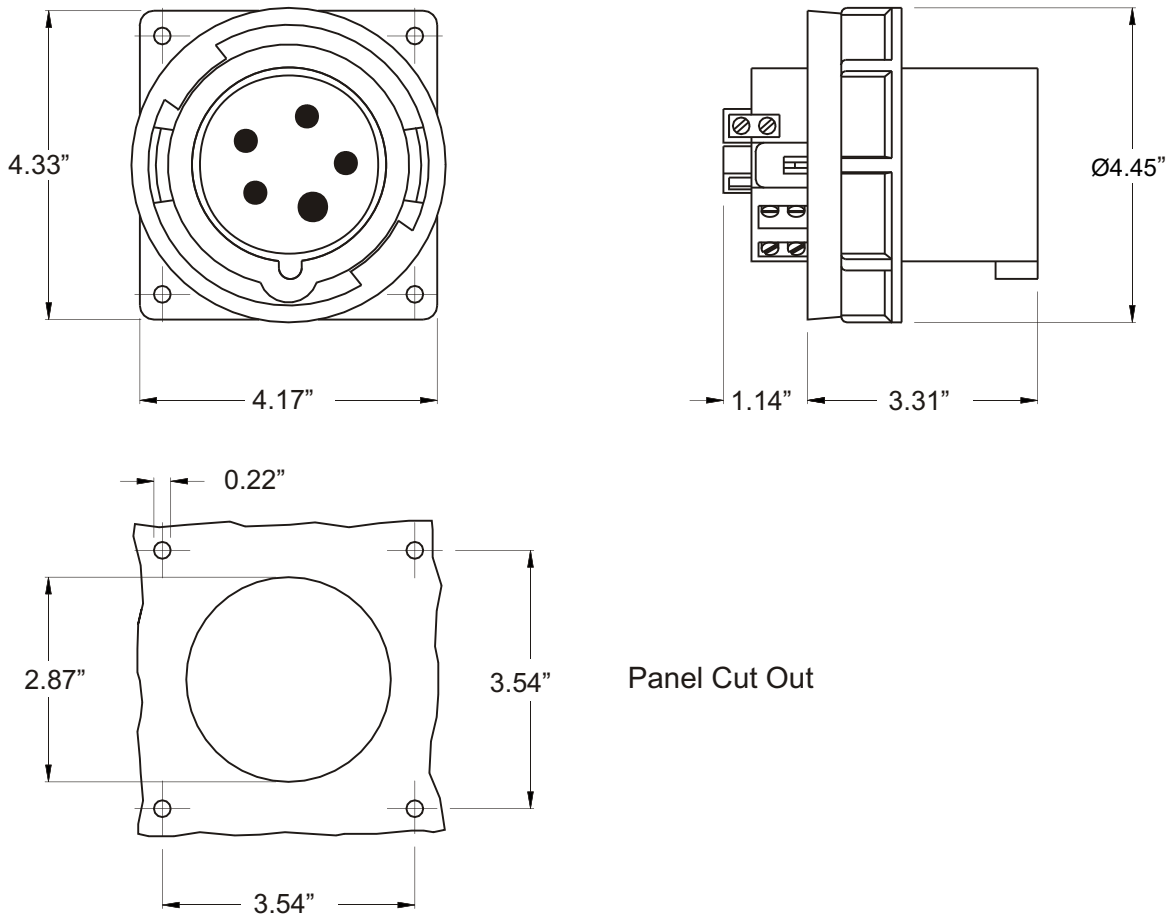


**INLET, PANEL MOUNTING**

**Part No.** ME 560B7W  
**Description:** 60 Amp 3 Y 277/480Vac 4 Pole, 5 Wire Inlet  
**Construction:** Watertight IEC IP 67  
**Approvals:** UL Listed Standards 1682; 1686  
 CSA Certification to Spec. C22.2 No. 182.1  
 IEC 60309-1; IEC 60309-2

**IEC COLOR CODE:** Red

**GROUND SOCKET:** 5 Hour Position Mates with Female in 7 Hour Position.



**Wire Range: #4 - #8 AWG**

Drawing Not to Scale